

### Specification

<b>Model No.:</b>	RS-FT6X6150(61301)
<b>Front cover &amp; Housing:</b>	Stainless steel 304
<b>Dimensions:</b>	D150*H70mm (Nozzle hole size: 27mm)
<b>Tempered Glass:</b>	8mm thickness
<b>LED chip:</b>	Edison / Epistar
<b>LED Q'ty:</b>	6pcs 1W LED / 6pcs 3W LED / 6pcs 3in1 LED / 6pcs 4in1 LED
<b>Cable gland:</b>	Nickel plated brass PG9
<b>Driver:</b>	Constant current driver
<b>Lens:</b>	Clear, Bead, Frosted
<b>Beam Angle Options:</b>	10° 30° 45° 60° 90°
<b>Power Cable:</b>	2*1.0mm <sup>2</sup> / 4*0.75mm <sup>2</sup> / 2*1.5*3*0.5mm <sup>2</sup> VDE rubber cable
<b>Protection Class:</b>	IP68
<b>Environment:</b>	Dry / Submerged
<b>Mounting Hardware:</b>	Surface Mounted System / Nozzle fixed
<b>Net Weight:</b>	1.5kgs with 1.5m cable
<b>Lifetime:</b>	>50000H

### Specification

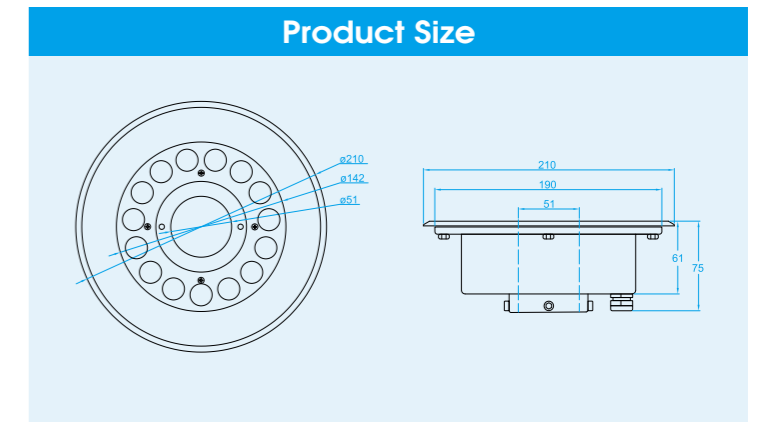
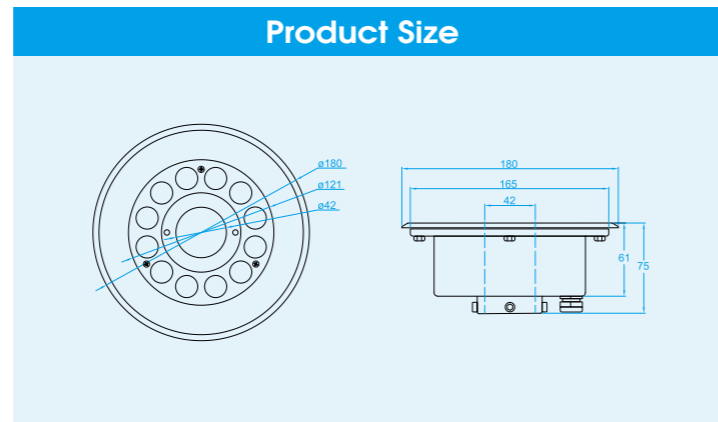
<b>Model No.:</b>	RS-FT9X6170(61311) / RS-FT27X6170(61311)
<b>Front cover &amp; Housing:</b>	Stainless steel 304
<b>Dimensions:</b>	D170*H75mm (Nozzle hole size: 35mm)
<b>Tempered Glass:</b>	8mm thickness
<b>LED chip:</b>	Edison / Epistar
<b>LED Q'ty:</b>	9pcs 1W LED / 9pcs 3W LED / 9pcs 3in1 LED / 9pcs 4in1 LED
<b>Cable gland:</b>	Nickel plated brass PG9
<b>Driver:</b>	Constant current driver
<b>Lens:</b>	Clear, Bead, Frosted
<b>Beam Angle Options:</b>	10° 30° 45° 60° 90°
<b>Power Cable:</b>	2*1.0mm <sup>2</sup> / 4*0.75mm <sup>2</sup> / 2*1.5*3*0.5mm <sup>2</sup> VDE rubber cable
<b>Protection Class:</b>	IP68
<b>Environment:</b>	Dry / Submerged
<b>Mounting Hardware:</b>	Surface Mounted System / Nozzle fixed
<b>Net Weight:</b>	1.7kgs with 1.5m cable
<b>Lifetime:</b>	>50000H

### Order information

Item code	Color	Light source(w)	Line Way	Input Voltage (v)	Operating current (mA)	Consumption (w)	Luminous flux (lm)
61301.061.01	2700-3000K	6*1	V+/V-	AC/DC12-24	500 / 250	6	540
61301.061.02	4000-4500K	6*1	V+/V-	AC/DC12-24	500 / 250	6	570
61301.061.03	5000-5500K	6*1	V+/V-	AC/DC12-24	500 / 250	6	600
61301.061.04	6000-6500K	6*1	V+/V-	AC/DC12-24	500 / 250	6	600
61301.061.05	Red	6*1	V+/V-	AC/DC12-24	500 / 250	6	150
61301.061.06	Green	6*1	V+/V-	AC/DC12-24	500 / 250	6	360
61301.061.07	Blue	6*1	V+/V-	AC/DC12-24	500 / 250	6	180
61301.061.08	Yellow	6*1	V+/V-	AC/DC12-24	500 / 250	6	420
61301.063.09	RGB-DMX512 (3 channel)	6*3	V+/V- /D+/D-/GND	AC/DC12-24	R: 333 / 166 B: 500 / 250 G: 500 / 250	R: 4 B: 6 G: 6	R: 70 B: 80 G: 180
61301.063.10	Auto changing color	6*3	V+/V-	AC12-24	R: 333 / 166 B: 500 / 250 G: 500 / 250	R: 4 B: 6 G: 6	R: 70 B: 80 G: 180
61301.063.12	RGBV+ (build-in CC driver)	6*3	R/G/B/V+	DC12-24	R: 333 / 166 B: 500 / 250 G: 500 / 250	R: 4 B: 6 G: 6	R: 70 B: 80 G: 180
61301.063.13	RGB-DMX512 (3 channel)	6*3in1	V+/V- /D+/D-/GND	AC/DC12-24	R: 500 / 250 B: 500 / 250 G: 500 / 250	R: 6 B: 6 G: 6	R: 150 B: 180 G: 360
61301.064.14	RGBW-DMX512 (4 channel)	6*4in1	V+/V- /D+/D-/GND	AC/DC12-24	R: 500 / 250 B: 500 / 250 W: 500 / 250	R: 6 B: 6 W: 6	R: 150 B: 180 G: 360 W: 540

### Order information

Item code	Color	Light source(w)	Line Way	Input Voltage (v)	Operating current (mA)	Consumption (w)	Luminous flux (lm)
61311.091.01	2700-3000K	9*1	V+/V-	AC/DC12-24	750 / 375	9	810
61311.091.02	4000-4500K	9*1	V+/V-	AC/DC12-24	750 / 375	9	855
61311.091.03	5000-5500K	9*1	V+/V-	AC/DC12-24	750 / 375	9	900
61311.091.04	6000-6500K	9*1	V+/V-	AC/DC12-24	750 / 375	9	900
61311.091.05	Red	9*1	V+/V-	AC/DC12-24	750 / 375	9	225
61311.091.06	Green	9*1	V+/V-	AC/DC12-24	750 / 375	9	540
61311.091.07	Blue	9*1	V+/V-	AC/DC12-24	750 / 375	9	270
61311.091.08	Yellow	9*1	V+/V-	AC/DC12-24	750 / 375	9	630
61311.093.09	RGB-DMX512 (3 channel)	9*3	V+/V- /D+/D-/GND	AC/DC12-24	R: 500 / 250 B: 750 / 375 G: 750 / 375	R: 6 B: 9 G: 9	R: 105 B: 120 G: 270
61311.093.10	Auto changing color	9*3	V+/V-	AC12-24	R: 500 / 250 B: 750 / 375 G: 750 / 375	R: 6 B: 9 G: 9	R: 105 B: 120 G: 270
61311.093.12	RGBV+ (build-in CC driver)	9*3	R/G/B/V+	DC12-24	R: 500 / 250 B: 750 / 375 G: 750 / 375	R: 6 B: 9 G: 9	R: 105 B: 120 G: 270
61311.093.13	RGB-DMX512 (3 channel)	9*3in1	V+/V- /D+/D-/GND	AC/DC12-24	R: 700 / 375 B: 700 / 375 G: 700 / 375	R: 9 B: 9 G: 9	R: 225 B: 270 G: 540
61311.094.14	RGBW-DMX512 (4 channel)	9*4in1	V+/V- /D+/D-/GND	AC/DC12-24	R: 700 / 375 B: 700 / 375 W: 700 / 375	R: 9 B: 9 W: 9	R: 225 B: 270 G: 540 W: 810



### Specification

<b>Model No.:</b>	RS-FT12X6180(61321) / RS-FT36X6180(61321)
<b>Front cover &amp; Housing:</b>	Stainless steel 304
<b>Dimensions:</b>	D180*H75mm (Nozzle hole size: 42mm)
<b>Tempered Glass:</b>	8mm thickness
<b>LED chip:</b>	Edison / Epistar
<b>LED Q'ty:</b>	12pcs 1W LED / 12pcs 3W LED / 12pcs 3in1 LED / 12pcs 4in1 LED
<b>Cable gland:</b>	Nickel plated brass PG9
<b>Driver:</b>	Constant current driver
<b>Lens:</b>	Clear, Bead, Frosted
<b>Beam Angle Options:</b>	10° 30° 45° 60° 90°
<b>Power Cable:</b>	2*1.0mm <sup>2</sup> / 4*0.75mm <sup>2</sup> / 2*1.5*3*0.5mm <sup>2</sup> VDE rubber cable
<b>Protection Class:</b>	IP68
<b>Environment:</b>	Dry / Submerged
<b>Mounting Hardware:</b>	Surface Mounted System / Nozzle fixed
<b>Net Weight:</b>	2.0kgs with 1.5m cable
<b>Lifetime:</b>	>50000H

### Specification

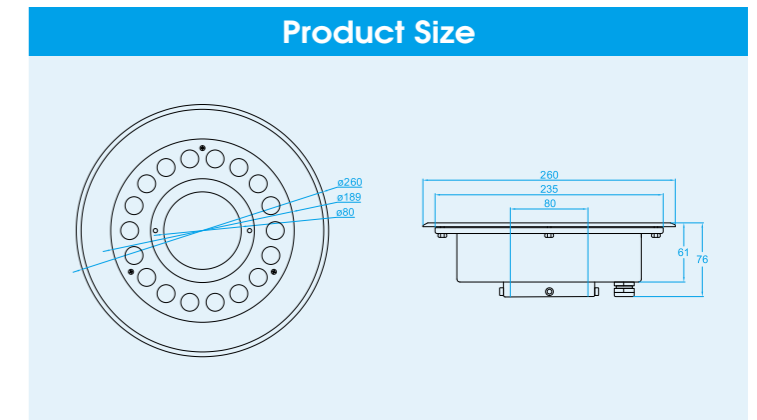
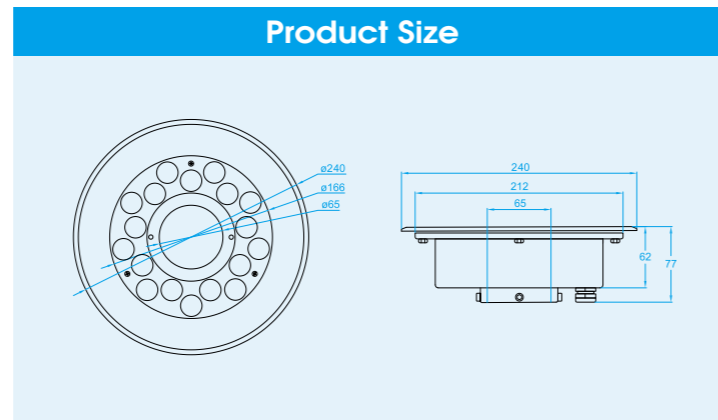
<b>Model No.:</b>	RS-FT15X6210(61331) / RS-FT45X6210(61331)
<b>Front cover &amp; Housing:</b>	Stainless steel 304
<b>Dimensions:</b>	D210*H75mm (Nozzle hole size: 51mm)
<b>Tempered Glass:</b>	8mm thickness
<b>LED chip:</b>	Edison / Epistar
<b>LED Q'ty:</b>	15pcs 1W LED / 15pcs 3W LED / 15pcs 3in1 LED / 12pcs 4in1 LED
<b>Cable gland:</b>	Nickel plated brass PG9
<b>Driver:</b>	Constant current driver
<b>Lens:</b>	Clear, Bead, Frosted
<b>Beam Angle Options:</b>	10° 30° 45° 60° 90°
<b>Power Cable:</b>	2*1.0mm <sup>2</sup> / 4*0.75mm <sup>2</sup> / 2*1.5*3*0.5mm <sup>2</sup> VDE rubber cable
<b>Protection Class:</b>	IP68
<b>Environment:</b>	Dry / Submerged
<b>Mounting Hardware:</b>	Surface Mounted System / Nozzle fixed
<b>Net Weight:</b>	2.3kgs with 1.5m cable
<b>Lifetime:</b>	>50000H

### Order information

Item code	Color	Light source(w)	Line Way	Input Voltage (v)	Operating current (mA)	Consumption (w)	Luminous flux (lm)
61321.121.01	2700-3000K	12*1	V+/V-	AC/DC12-24	1000 / 500	12	1080
61321.121.02	4000-4500K	12*1	V+/V-	AC/DC12-24	1000 / 500	12	1140
61321.121.03	5000-5500K	12*1	V+/V-	AC/DC12-24	1000 / 500	12	1200
61321.121.04	6000-6500K	12*1	V+/V-	AC/DC12-24	1000 / 500	12	1200
61321.121.05	Red	12*1	V+/V-	AC/DC12-24	1000 / 500	12	300
61321.121.06	Green	12*1	V+/V-	AC/DC12-24	1000 / 500	12	720
61321.121.07	Blue	12*1	V+/V-	AC/DC12-24	1000 / 500	12	360
61321.121.08	Yellow	12*1	V+/V-	AC/DC12-24	1000 / 500	12	840
61321.123.09	RGB-DMX512 (3 channel)	12*3	V+/V- /D+/D-/GND	AC/DC24	R: 333 G: 500 B: 500	R: 8 G: 12 B: 12	R: 140 G: 360 B: 160
61321.123.10	Auto changing color	12*3	V+/V-	AC24	R: 666 / 333 G: 1000 / 500 B: 1000 / 500	R: 8 G: 12 B: 12	R: 140 G: 360 B: 160
61321.123.12	RGBV+ (build-in CC driver)	12*3	R/G/B/V+	DC12-24	R: 666 / 333 G: 1000 / 500 B: 1000 / 500	R: 8 G: 12 B: 12	R: 140 G: 360 B: 160
61321.123.13	RGB-DMX512 (3 channel)	12*3in1	V+/V- /D+/D-/GND	AC/DC24	R: 500 G: 500 B: 500	R: 12 G: 12 B: 12	R: 300 G: 720 B: 360
61321.124.14	RGBW-DMX512 (4 channel)	12*4in1	V+/V- /D+/D-/GND	AC/DC24	R: 500 G: 500 B: 500 W: 500	R: 12 G: 12 B: 12 W: 12	R: 300 G: 720 B: 360 W: 1080

### Order information

Item code	Color	Light source(w)	Line Way	Input Voltage (v)	Operating current (mA)	Consumption (w)	Luminous flux (lm)
61331.151.01	2700-3000K	15*1	V+/V-	AC/DC24	625	15	1350
61331.151.02	4000-4500K	15*1	V+/V-	AC/DC24	625	15	1425
61331.151.03	5000-5500K	15*1	V+/V-	AC/DC24	625	15	1500
61331.151.04	6000-6500K	15*1	V+/V-	AC/DC24	625	15	1500
61331.151.05	Red	15*1	V+/V-	AC/DC24	625	15	375
61331.151.06	Green	15*1	V+/V-	AC/DC24	625	15	900
61331.151.07	Blue	15*1	V+/V-	AC/DC24	625	15	450
61331.151.08	Yellow	15*1	V+/V-	AC/DC24	625	15	1350
61331.153.09	RGB-DMX512 (3 channel)	15*3	V+/V- /D+/D-/GND	AC/DC24	R: 416 G: 625 B: 625	R: 10 G: 15 B: 15	R: 175 G: 450 B: 200
61331.153.10	Auto changing color	15*3	V+/V-	AC24	R: 416 G: 625 B: 625	R: 10 G: 15 B: 15	R: 175 G: 450 B: 200
61331.153.12	RGBV+ (build-in CC driver)	15*3	R/G/B/V+	DC24	R: 416 G: 625 B: 625	R: 10 G: 15 B: 15	R: 175 G: 450 B: 200
61331.153.13	RGB-DMX512 (3 channel)	15*3in1	V+/V- /D+/D-/GND	AC/DC24	R: 625 G: 625 B: 625	R: 15 G: 15 B: 15	R: 375 G: 900 B: 450
61331.124.14	RGBW-DMX512 (4 channel)	12*4in1	V+/V- /D+/D-/GND	AC/DC12-24	R: 1000 / 500 G: 1000 / 500 B: 1000 / 500 W: 1000 / 500	R: 12 G: 12 B: 12 W: 12	R: 300 G: 720 B: 360 W: 1080



### Specification

<b>Model No.:</b>	RS-FT18X6230(61341) / RS-FT54X6230(61341)
<b>Front cover &amp; Housing:</b>	Stainless steel 304
<b>Dimensions:</b>	D240*H77mm (Nozzle hole size: 65mm)
<b>Tempered Glass:</b>	8mm thickness
<b>LED chip:</b>	Edison / Epistar
<b>LED Q'ty:</b>	18pcs 1W LED / 18pcs 3W LED / 18pcs 3in1 LED / 18pcs 4in1 LED
<b>Cable gland:</b>	Nickel plated brass PG9
<b>Driver:</b>	Constant current driver
<b>Lens:</b>	Clear, Bead, Frosted
<b>Beam Angle Options:</b>	10° 30° 45° 60° 90°
<b>Power Cable:</b>	2*1.0mm <sup>2</sup> / 4*0.75mm <sup>2</sup> / 2*1.5+3*0.5mm <sup>2</sup> VDE rubber cable
<b>Protection Class:</b>	IP68
<b>Environment:</b>	Dry / Submerged
<b>Mounting Hardware:</b>	Surface Mounted System / Nozzle fixed
<b>Net Weight:</b>	2.9kgs with 1.5m cable
<b>Lifetime:</b>	>50000H

### Specification

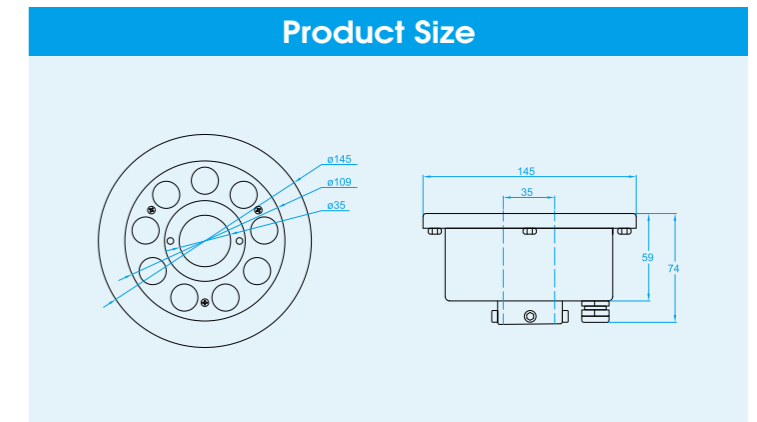
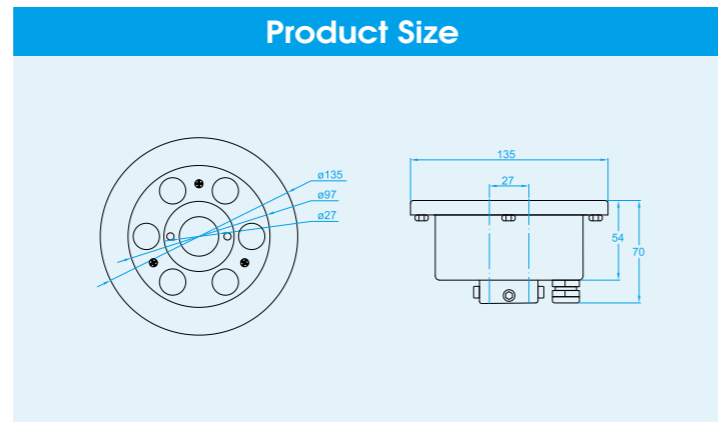
<b>Model No.:</b>	RS-FT18X6250(61351) / RS-FT54X6250(61351)
<b>Front cover &amp; Housing:</b>	Stainless steel 304
<b>Dimensions:</b>	D260*H76mm (Nozzle hole size: 80mm)
<b>Tempered Glass:</b>	8mm thickness
<b>LED chip:</b>	Edison / Epistar
<b>LED Q'ty:</b>	18pcs 1W LED / 18pcs 3W LED / 18pcs 3in1 LED
<b>Cable gland:</b>	Nickel plated brass PG9
<b>Driver:</b>	Constant current driver
<b>Lens:</b>	Clear, Bead, Frosted
<b>Beam Angle Options:</b>	10° 30° 45° 60° 90°
<b>Power Cable:</b>	2*1.0mm <sup>2</sup> / 4*0.75mm <sup>2</sup> / 2*1.5+3*0.5mm <sup>2</sup> VDE rubber cable
<b>Protection Class:</b>	IP68
<b>Environment:</b>	Dry / Submerged
<b>Mounting Hardware:</b>	Surface Mounted System / Nozzle fixed
<b>Net Weight:</b>	3.0kgs with 1.5m cable
<b>Lifetime:</b>	>50000H

### Order information

Item code	Color	Light source(w)	Line Way	Input Voltage (v)	Operating current (mA)	Consumption (w)	Luminous flux (lm)
61341.181.01	2700-3000K	18*1	V+/V-	AC/DC24	750	18	1620
61341.181.02	4000-4500K	18*1	V+/V-	AC/DC24	750	18	1710
61341.181.03	5000-5500K	18*1	V+/V-	AC/DC24	750	18	1800
61341.181.04	6000-6500K	18*1	V+/V-	AC/DC24	750	18	1800
61341.181.05	Red	18*1	V+/V-	AC/DC24	750	18	450
61341.181.06	Green	18*1	V+/V-	AC/DC24	750	18	1080
61341.181.07	Blue	18*1	V+/V-	AC/DC24	750	18	540
61341.181.08	Yellow	18*1	V+/V-	AC/DC24	750	18	1260
61341.183.09	RGB-DMX512 (3 channel)	18*3	V+/V- /D+/D-/GND	AC/DC24	R: 500 B: 750 G: 750	R: 12 B: 18 G: 18	R: 210 B: 240 G: 540
61341.183.10	Auto changing color	18*3	V+/V-	AC24	R: 500 B: 750 G: 750	R: 12 B: 18 G: 18	R: 210 B: 240 G: 540
61341.183.12	RGBV+ (build-in CC driver)	18*3	R/G/B/V+	DC24	R: 500 B: 750 G: 750	R: 12 B: 18 G: 18	R: 210 B: 240 G: 540
61341.183.13	RGB-DMX512 (3 channel)	18*3in1	V+/V- /D+/D-/GND	AC/DC24	R: 750 B: 750 G: 750	R: 18 B: 18 G: 18	R: 450 B: 540 G: 1080
61341.184.14	RGBW-DMX512 (4 channel)	18*4in1	V+/V- /D+/D-/GND	AC/DC24	R: 750 B: 750 G: 750 W: 750	R: 18 B: 18 G: 18 W: 18	R: 450 B: 540 G: 1080 W: 1620

### Order information

Item code	Color	Light source(w)	Line Way	Input Voltage (v)	Operating current (mA)	Consumption (w)	Luminous flux (lm)
61351.181.01	2700-3000K	18*1	V+/V-	AC/DC24	750	18	1620
61351.181.02	4000-4500K	18*1	V+/V-	AC/DC24	750	18	1710
61351.181.03	5000-5500K	18*1	V+/V-	AC/DC24	750	18	1800
61351.181.04	6000-6500K	18*1	V+/V-	AC/DC24	750	18	1800
61351.181.05	Red	18*1	V+/V-	AC/DC24	750	18	450
61351.181.06	Green	18*1	V+/V-	AC/DC24	750	18	1080
61351.181.07	Blue	18*1	V+/V-	AC/DC24	750	18	540
61351.181.08	Yellow	18*1	V+/V-	AC/DC24	750	18	1260
61351.183.09	RGB-DMX512 (3 channel)	18*3	V+/V- /D+/D-/GND	AC/DC24	R: 500 B: 750 G: 750	R: 12 B: 18 G: 18	R: 210 B: 240 G: 540
61351.183.10	Auto changing color	18*3	V+/V-	AC24	R: 500 B: 750 G: 750	R: 12 B: 18 G: 18	R: 210 B: 240 G: 540
61351.183.12	RGBV+ (build-in CC driver)	18*3	R/G/B/V+	DC24	R: 500 B: 750 G: 750	R: 12 B: 18 G: 18	R: 210 B: 240 G: 540
61351.183.13	RGB-DMX512 (3 channel)	18*3in1	V+/V- /D+/D-/GND	AC/DC24	R: 750 B: 750 G: 750	R: 18 B: 18 G: 18	R: 450 B: 540 G: 1080



Specification

<b>Model No.:</b>	RS-FT6X6135B(61501) / RS-FT18X6135B(61501)
<b>Front cover &amp; Housing:</b>	Stainless steel 304
<b>Dimensions:</b>	D135*H70mm (Nozzle hole size: 27mm)
<b>Tempered Glass:</b>	8mm thickness
<b>LED chip:</b>	Edison / Epistar
<b>LED Q'ty:</b>	6pcs 1W LED / 6pcs 3W LED / 6pcs 3in1 LED / 6pcs 4in1 LED
<b>Cable gland:</b>	Nickel plated brass PG9
<b>Driver:</b>	Constant current driver
<b>Lens:</b>	Clear, Bead, Frosted
<b>Beam Angle Options:</b>	10° 30° 45° 60° 90°
<b>Power Cable:</b>	2*1.0mm <sup>2</sup> / 4*0.75mm <sup>2</sup> / 2*1.5+3*0.5mm <sup>2</sup> VDE rubber cable
<b>Protection Class:</b>	IP68
<b>Environment:</b>	Dry / Submerged
<b>Mounting Hardware:</b>	Surface Mounted System / Nozzle fixed
<b>Net Weight:</b>	1.4kgs with 1.5m cable
<b>Lifetime:</b>	>50000H

Specification

<b>Model No.:</b>	RS-FT9X6160(61511) / RS-FT27X6160(61511)
<b>Front cover &amp; Housing:</b>	Stainless steel 304
<b>Dimensions:</b>	D145*H74mm (Nozzle hole size: 35mm)
<b>Tempered Glass:</b>	8mm thickness
<b>LED chip:</b>	Edison / Epistar
<b>LED Q'ty:</b>	9pcs 1W LED / 9pcs 3W LED / 9pcs 3in1 LED / 9pcs 4in1 LED
<b>Cable gland:</b>	Nickel plated brass PG9
<b>Driver:</b>	Constant current driver
<b>Lens:</b>	Clear, Bead, Frosted
<b>Beam Angle Options:</b>	10° 30° 45° 60° 90°
<b>Power Cable:</b>	2*1.0mm <sup>2</sup> / 4*0.75mm <sup>2</sup> / 2*1.5+3*0.5mm <sup>2</sup> VDE rubber cable
<b>Protection Class:</b>	IP68
<b>Environment:</b>	Dry / Submerged
<b>Mounting Hardware:</b>	Surface Mounted System / Nozzle fixed
<b>Net Weight:</b>	1.7kgs with 1.5m cable
<b>Lifetime:</b>	>50000H

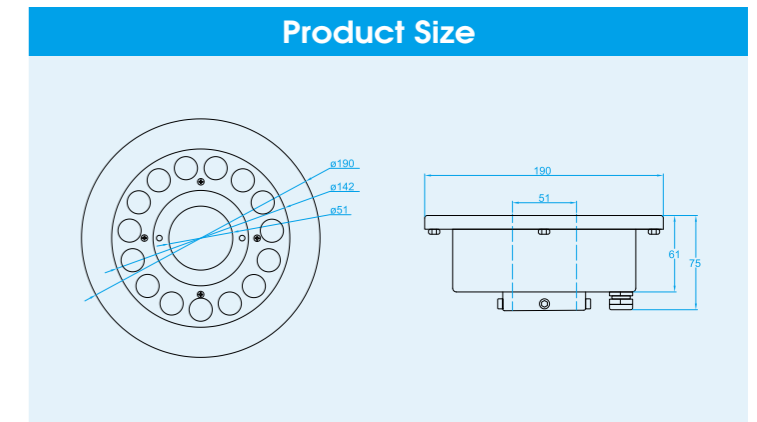
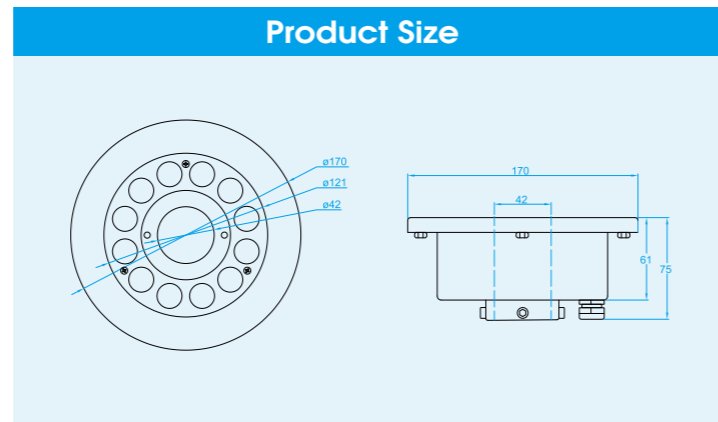
Order information

Item code	Color	Light source(w)	Line Way	Input Voltage (v)	Operating current (mA)	Consumption (w)	Luminous flux (lm)
61501.061.01	2700-3000K	6*1	V+/V-	AC/DC12-24	500 / 250	6	540
61501.061.02	4000-4500K	6*1	V+/V-	AC/DC12-24	500 / 250	6	570
61501.061.03	5000-5500K	6*1	V+/V-	AC/DC12-24	500 / 250	6	600
61501.061.04	6000-6500K	6*1	V+/V-	AC/DC12-24	500 / 250	6	600
61501.061.05	Red	6*1	V+/V-	AC/DC12-24	500 / 250	6	150
61501.061.06	Green	6*1	V+/V-	AC/DC12-24	500 / 250	6	360
61501.061.07	Blue	6*1	V+/V-	AC/DC12-24	500 / 250	6	180
61501.061.08	Yellow	6*1	V+/V-	AC/DC12-24	500 / 250	6	420
61501.063.09	RGB-DMX512 (3 channel)	6*3	V+/V- / D+ / D- / GND	AC/DC12-24	R: 333 / 166 B: 500 / 250 G: 500 / 250	R: 4 B: 6 G: 6	R: 70 B: 80 G: 180
61501.063.10	Auto changing color	6*3	V+/V-	AC12-24	R: 333 / 166 B: 500 / 250 G: 500 / 250	R: 4 B: 6 G: 6	R: 70 B: 80 G: 180
61501.063.12	RGBV+ (build-in CC driver)	6*3	R/G/B/V+	DC12-24	R: 333 / 166 B: 500 / 250 G: 500 / 250	R: 4 B: 6 G: 6	R: 70 B: 80 G: 180
61501.063.13	RGB-DMX512 (3 channel)	6*3in1	V+/V- / D+ / D- / GND	AC/DC12-24	R: 500 / 250 B: 500 / 250 G: 500 / 250	R: 6 B: 6 G: 6	R: 150 B: 180 G: 360
61501.064.14	RGBW-DMX512 (4 channel)	6*4in1	V+/V- / D+ / D- / GND	AC/DC12-24	R: 500 / 250 B: 500 / 250 W: 500 / 250	R: 6 B: 6 W: 6	R: 150 B: 180 G: 360 W: 540

Order information

Item code	Color	Light source(w)	Line Way	Input Voltage (v)	Operating current (mA)	Consumption (w)	Luminous flux (lm)
61511.091.01	2700-3000K	9*1	V+/V-	AC/DC12-24	750 / 375	9	810
61511.091.02	4000-4500K	9*1	V+/V-	AC/DC12-24	750 / 375	9	855
61511.091.03	5000-5500K	9*1	V+/V-	AC/DC12-24	750 / 375	9	900
61511.091.04	6000-6500K	9*1	V+/V-	AC/DC12-24	750 / 375	9	900
61311.091.05	Red	9*1	V+/V-	AC/DC12-24	750 / 375	9	225
61311.091.06	Green	9*1	V+/V-	AC/DC12-24	750 / 375	9	540
61511.091.07	Blue	9*1	V+/V-	AC/DC12-24	750 / 375	9	270
61511.091.08	Yellow	9*1	V+/V-	AC/DC12-24	750 / 375	9	630
61511.093.09	RGB-DMX512 (3 channel)	9*3	V+/V- / D+ / D- / GND	AC/DC12-24	R: 500 / 250 B: 750 / 375 G: 750 / 375	R: 6 B: 9 G: 9	R: 105 B: 120 G: 270
61511.093.10	Auto changing color	9*3	V+/V-	AC12-24	R: 500 / 250 B: 750 / 375 G: 750 / 375	R: 6 B: 9 G: 9	R: 105 B: 120 G: 270
61511.093.12	RGBV+ (build-in CC driver)	9*3	R/G/B/V+	DC12-24	R: 500 / 250 B: 750 / 375 G: 750 / 375	R: 6 B: 9 G: 9	R: 105 B: 120 G: 270
61511.093.13	RGB-DMX512 (3 channel)	9*3in1	V+/V- / D+ / D- / GND	AC/DC12-24	R: 700 / 375 B: 700 / 375 G: 700 / 375	R: 9 B: 9 G: 9	R: 225 B: 270 G: 540
61511.094.14	RGBW-DMX512 (4 channel)	9*4in1	V+/V- / D+ / D- / GND	AC/DC12-24	R: 700 / 375 B: 700 / 375 W: 700 / 375	R: 9 B: 9 W: 9	R: 225 B: 270 G: 540 W: 810





Specification

<b>Model No.:</b>	RS-FT12X6170B(61521) / RS-FT36X6170B(61521)
<b>Front cover &amp; Housing:</b>	Stainless steel 304
<b>Dimensions:</b>	D170*H75mm (Nozzle hole size: 42mm)
<b>Tempered Glass:</b>	8mm thickness
<b>LED chip:</b>	Edison / Epistar
<b>LED Q'ty:</b>	12pcs 1W LED / 12pcs 3W LED / 12pcs 3in1 LED / 12pcs 4in1 LED
<b>Cable gland:</b>	Nickel plated brass PG9
<b>Driver:</b>	Constant current driver
<b>Lens:</b>	Clear, Bead, Frosted
<b>Beam Angle Options:</b>	10° 30° 45° 60° 90°
<b>Power Cable:</b>	2*1.0mm <sup>2</sup> / 4*0.75mm <sup>2</sup> / 2*1.5+3*0.5mm <sup>2</sup> VDE rubber cable
<b>Protection Class:</b>	IP68
<b>Environment:</b>	Dry / Submerged
<b>Mounting Hardware:</b>	Surface Mounted System / Nozzle fixed
<b>Net Weight:</b>	2.0kgs with 1.5m cable
<b>Lifetime:</b>	>50000H

Specification

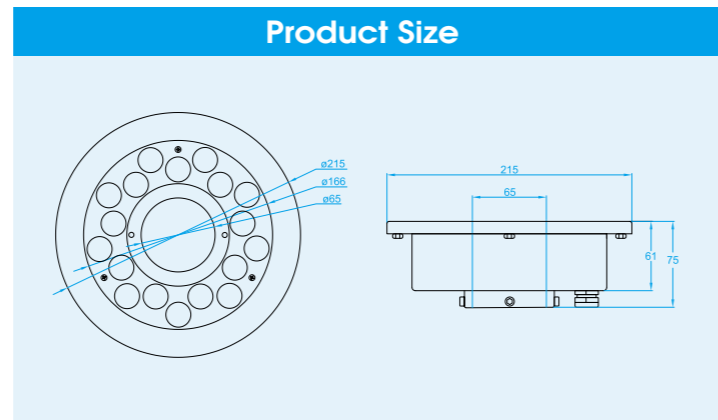
<b>Model No.:</b>	RS-FT15X6190(61531) / RS-FT45X6190(61531)
<b>Front cover &amp; Housing:</b>	Stainless steel 304
<b>Dimensions:</b>	D190*H75mm (Nozzle hole size: 51mm)
<b>Tempered Glass:</b>	8mm thickness
<b>LED chip:</b>	Edison / Epistar
<b>LED Q'ty:</b>	15pcs 1W LED / 15pcs 3W LED / 15pcs 3in1 LED / 12pcs 4in1 LED
<b>Cable gland:</b>	Nickel plated brass PG9
<b>Driver:</b>	Constant current driver
<b>Lens:</b>	Clear, Bead, Frosted
<b>Beam Angle Options:</b>	10° 30° 45° 60° 90°
<b>Power Cable:</b>	2*1.0mm <sup>2</sup> / 4*0.75mm <sup>2</sup> / 2*1.5+3*0.5mm <sup>2</sup> VDE rubber cable
<b>Protection Class:</b>	IP68
<b>Environment:</b>	Dry / Submerged
<b>Mounting Hardware:</b>	Surface Mounted System / Nozzle fixed
<b>Net Weight:</b>	2.5kgs with 1.5m cable
<b>Lifetime:</b>	>50000H

Order information

Item code	Color	Light source(w)	Line Way	Input Voltage (v)	Operating current (mA)	Consumption (w)	Luminous flux (lm)
61521.121.01	2700-3000K	12*1	V+/V-	AC/DC12-24	1000 / 500	12	1080
61521.121.02	4000-4500K	12*1	V+/V-	AC/DC12-24	1000 / 500	12	1140
61521.121.03	5000-5500K	12*1	V+/V-	AC/DC12-24	1000 / 500	12	1200
61521.121.04	6000-6500K	12*1	V+/V-	AC/DC12-24	1000 / 500	12	1200
61521.121.05	Red	12*1	V+/V-	AC/DC12-24	1000 / 500	12	300
61521.121.06	Green	12*1	V+/V-	AC/DC12-24	1000 / 500	12	720
61521.121.07	Blue	12*1	V+/V-	AC/DC12-24	1000 / 500	12	360
61521.121.08	Yellow	12*1	V+/V-	AC/DC12-24	1000 / 500	12	840
61521.123.09	RGB-DMX512 (3 channel)	12*3	V+/V- /D+/D-/GND	AC/DC24	R: 333 G: 500 B: 500	R: 8 G: 12 B: 12	R: 140 G: 360 B: 160
61521.123.10	Auto changing color	12*3	V+/V-	AC24	R: 666 / 333 G: 1000 / 500 B: 1000 / 500	R: 8 G: 12 B: 12	R: 140 G: 360 B: 160
61521.123.12	RGBV+ (build-in CC driver)	12*3	R/G/B/V+	DC12-24	R: 666 / 333 G: 1000 / 500 B: 1000 / 500	R: 8 G: 12 B: 12	R: 140 G: 360 B: 160
61521.123.13	RGB-DMX512 (3 channel)	12*3in1	V+/V- /D+/D-/GND	AC/DC24	R: 500 G: 500 B: 500	R: 12 G: 12 B: 12	R: 300 G: 720 B: 360
61521.124.14	RGBW-DMX512 (4 channel)	12*4in1	V+/V- /D+/D-/GND	AC/DC24	R: 500 G: 500 B: 500 W: 500	R: 12 G: 12 B: 12 W: 12	R: 300 G: 720 B: 360 W: 1080

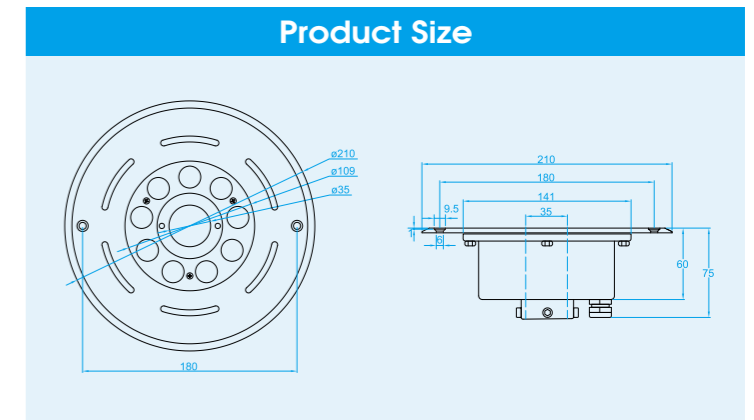
Order information

Item code	Color	Light source(w)	Line Way	Input Voltage (v)	Operating current (mA)	Consumption (w)	Luminous flux (lm)
61531.151.01	2700-3000K	15*1	V+/V-	AC/DC24	625	15	1350
61531.151.02	4000-4500K	15*1	V+/V-	AC/DC24	625	15	1425
61531.151.03	5000-5500K	15*1	V+/V-	AC/DC24	625	15	1500
61531.151.04	6000-6500K	15*1	V+/V-	AC/DC24	625	15	1500
61531.151.05	Red	15*1	V+/V-	AC/DC24	625	15	375
61531.151.06	Green	15*1	V+/V-	AC/DC24	625	15	900
61531.151.07	Blue	15*1	V+/V-	AC/DC24	625	15	450
61531.151.08	Yellow	15*1	V+/V-	AC/DC24	625	15	1350
61531.153.09	RGB-DMX512 (3 channel)	15*3	V+/V- /D+/D-/GND	AC/DC24	R: 416 G: 625 B: 625	R: 10 G: 15 B: 15	R: 175 G: 450 B: 200
61531.153.10	Auto changing color	15*3	V+/V-	AC24	R: 416 G: 625 B: 625	R: 10 G: 15 B: 15	R: 175 G: 450 B: 200
61531.153.12	RGBV+ (build-in CC driver)	15*3	R/G/B/V+	DC24	R: 416 G: 625 B: 625	R: 10 G: 15 B: 15	R: 175 G: 450 B: 200
61531.153.13	RGB-DMX512 (3 channel)	15*3in1	V+/V- /D+/D-/GND	AC/DC24	R: 625 G: 625 B: 625	R: 15 G: 15 B: 15	R: 375 G: 900 B: 450
61531.124.14	RGBW-DMX512 (4 channel)	12*4in1	V+/V- /D+/D-/GND	AC/DC12-24	R: 1000 / 500 G: 1000 / 500 B: 1000 / 500 W: 1000 / 500	R: 12 G: 12 B: 12 W: 12	R: 300 G: 720 B: 360 W: 1080



Specification

<b>Model No.:</b>	RS-FT18X6215B(61541) / RS-FT54X6215B(61541)
<b>Front cover &amp; Housing:</b>	Stainless steel 304
<b>Dimensions:</b>	D215*H75mm (Nozzle hole size: 65mm)
<b>Tempered Glass:</b>	8mm thickness
<b>LED chip:</b>	Edison / Epistar
<b>LED Q'ty:</b>	18pcs 1W LED / 18pcs 3W LED / 18pcs 3in1 LED / 18pcs 4in1 LED
<b>Cable gland:</b>	Nickel plated brass PG9
<b>Driver:</b>	Constant current driver
<b>Lens:</b>	Clear, Bead, Frosted
<b>Beam Angle Options:</b>	10° 30° 45° 60° 90°
<b>Power Cable:</b>	2*1.0mm <sup>2</sup> / 4*0.75mm <sup>2</sup> / 2*1.5+3*0.5mm <sup>2</sup> VDE rubber cable
<b>Protection Class:</b>	IP68
<b>Environment:</b>	Dry / Submerged
<b>Mounting Hardware:</b>	Surface Mounted System / Nozzle fixed
<b>Net Weight:</b>	3.0kgs with 1.5m cable
<b>Lifetime:</b>	>50000H



Specification

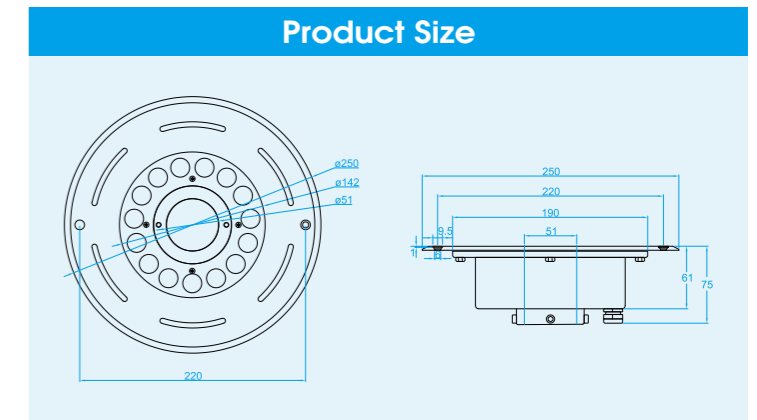
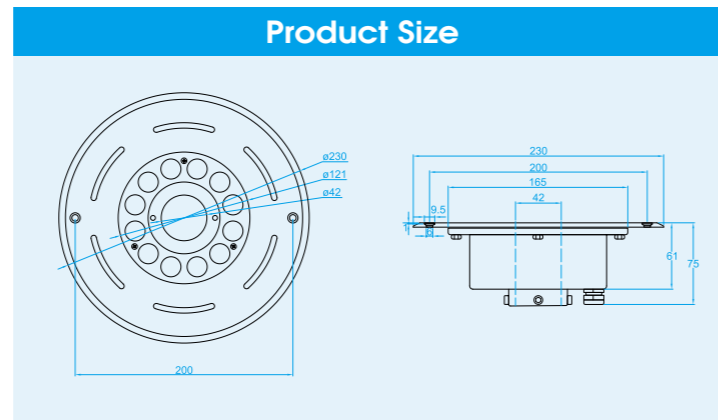
<b>Model No.:</b>	RS-FT9X6210HS(61601) / RS-FT27X6210HS(61601)
<b>Front cover &amp; Housing:</b>	Stainless steel 304
<b>Dimensions:</b>	D210*H75mm (Nozzle hole size:35mm)
<b>Tempered Glass:</b>	8mm thickness
<b>LED chip:</b>	Edison / Epistar
<b>LED Q'ty:</b>	9pcs 1W LED / 9pcs 3W LED / 9pcs 3in1 LED / 9pcs 4in1 LED
<b>Cable gland:</b>	Nickel plated brass PG9
<b>Driver:</b>	Constant current driver
<b>Lens:</b>	Clear, Bead, Frosted
<b>Beam Angle Options:</b>	10° 30° 45° 60° 90°
<b>Power Cable:</b>	2*1.0mm <sup>2</sup> / 4*0.75mm <sup>2</sup> / 2*1.5+3*0.5mm <sup>2</sup> VDE rubber cable
<b>Protection Class:</b>	IP68
<b>Environment:</b>	Dry / Submerged
<b>Mounting Hardware:</b>	Floor Recessed / Nozzle fixed
<b>Net Weight:</b>	2.2kgs with 1.5m cable
<b>Lifetime:</b>	>50000H

Order information

Item code	Color	Light source(w)	Line Way	Input Voltage (v)	Operating current (mA)	Consumption (w)	Luminous flux (lm)
61541.181.01	2700-3000K	18*1	V+/V-	AC/DC24	750	18	1620
61541.181.02	4000-4500K	18*1	V+/V-	AC/DC24	750	18	1710
61541.181.03	5000-5500K	18*1	V+/V-	AC/DC24	750	18	1800
61541.181.04	6000-6500K	18*1	V+/V-	AC/DC24	750	18	1800
61541.181.05	Red	18*1	V+/V-	AC/DC24	750	18	450
61541.181.06	Green	18*1	V+/V-	AC/DC24	750	18	1080
61541.181.07	Blue	18*1	V+/V-	AC/DC24	750	18	540
61541.181.08	Yellow	18*1	V+/V-	AC/DC24	750	18	1260
61541.183.09	RGB-DMX512 (3 channel)	18*3	V+/V-/D+/D-/GND	AC/DC24	R: 500 B: 750 G: 750	R: 12 B: 18 G: 18	R: 210 B: 240 G: 540
61541.183.10	Auto changing color	18*3	V+/V-	AC24	R: 500 B: 750 G: 750	R: 12 B: 18 G: 18	R: 210 B: 240 G: 540
61541.183.12	RGBV+ (build-in CC driver)	18*3	R/G/B/V+	DC24	R: 500 B: 750 G: 750	R: 12 B: 18 G: 18	R: 210 B: 240 G: 540
61541.183.13	RGB-DMX512 (3 channel)	18*3in1	V+/V-/D+/D-/GND	AC/DC24	R: 750 B: 750 G: 750	R: 18 B: 18 G: 18	R: 450 B: 540 G: 1080
61541.184.14	RGBW-DMX512 (4 channel)	18*4in1	V+/V-/D+/D-/GND	AC/DC24	R: 750 B: 750 G: 750 W: 750	R: 18 B: 18 G: 18 W: 18	R: 450 B: 540 G: 1080 W: 1620

Order information

Item code	Color	Light source(w)	Line Way	Input Voltage (v)	Operating current (mA)	Consumption (w)	Luminous flux (lm)
61601.091.01	2700-3000K	9*1	V+/V-	AC/DC12-24	750 / 375	9	810
61601.091.02	4000-4500K	9*1	V+/V-	AC/DC12-24	750 / 375	9	855
61601.091.03	5000-5500K	9*1	V+/V-	AC/DC12-24	750 / 375	9	900
61601.091.04	6000-6500K	9*1	V+/V-	AC/DC12-24	750 / 375	9	900
61601.091.05	Red	9*1	V+/V-	AC/DC12-24	750 / 375	9	225
61601.091.06	Green	9*1	V+/V-	AC/DC12-24	750 / 375	9	540
61601.091.07	Blue	9*1	V+/V-	AC/DC12-24	750 / 375	9	270
61601.091.08	Yellow	9*1	V+/V-	AC/DC12-24	750 / 375	9	630
61601.093.09	RGB-DMX512 (3 channel)	9*3	V+/V-/D+/D-/GND	AC/DC12-24	R: 500 / 250 B: 750 / 375 G: 750 / 375	R: 6 B: 9 G: 9	R: 105 B: 120 G: 270
61601.093.10	Auto changing color	9*3	V+/V-	AC12-24	R: 500 / 250 B: 750 / 375 G: 750 / 375	R: 6 B: 9 G: 9	R: 105 B: 120 G: 270
61601.093.12	RGBV+ (build-in CC driver)	9*3	R/G/B/V+	DC12-24	R: 500 / 250 B: 750 / 375 G: 750 / 375	R: 6 B: 9 G: 9	R: 105 B: 120 G: 270
61601.093.13	RGB-DMX512 (3 channel)	9*3in1	V+/V-/D+/D-/GND	AC/DC12-24	R: 700 / 375 B: 700 / 375 G: 700 / 375	R: 9 B: 9 G: 9	R: 225 B: 270 G: 540
61601.094.14	RGBW-DMX512 (4 channel)	9*4in1	V+/V-/D+/D-/GND	AC/DC12-24	R: 700 / 375 B: 700 / 375 G: 700 / 375 W: 700 / 375	R: 9 B: 9 G: 9 W: 9	R: 225 B: 270 G: 540 W: 810



### Specification

<b>Model No.:</b>	RS-FT12X6230HS(61611) / RS-FT36X6230HS(61611)
<b>Front cover &amp; Housing:</b>	Stainless steel 304
<b>Dimensions:</b>	D230*H75mm (Nozzle hole size: 42mm)
<b>Tempered Glass:</b>	8mm thickness
<b>LED chip:</b>	Edison / Epistar
<b>LED Q'ty:</b>	12pcs 1W LED / 12pcs 3W LED / 12pcs 3in1 LED / 12pcs 4in1 LED
<b>Cable gland:</b>	Nickel plated brass PG9
<b>Driver:</b>	Constant current driver
<b>Lens:</b>	Clear, Bead, Frosted
<b>Beam Angle Options:</b>	10° 30° 45° 60° 90°
<b>Power Cable:</b>	2*1.0mm <sup>2</sup> / 4*0.75mm <sup>2</sup> / 2*1.5*3*0.5mm <sup>2</sup> VDE rubber cable
<b>Protection Class:</b>	IP68
<b>Environment:</b>	Dry / Submerged
<b>Mounting Hardware:</b>	Floor Recessed / Nozzle fixed
<b>Net Weight:</b>	2.5kgs with 1.5m cable
<b>Lifetime:</b>	>50000H

### Specification

<b>Model No.:</b>	RS-FT15X6250HS(61612) / RS-FT45X6250HS(61612)
<b>Front cover &amp; Housing:</b>	Stainless steel 304
<b>Dimensions:</b>	D250*H75mm (Nozzle hole size: 51mm)
<b>Tempered Glass:</b>	8mm thickness
<b>LED chip:</b>	Edison / Epistar
<b>LED Q'ty:</b>	15pcs 1W LED / 15pcs 3W LED / 15pcs 3in1 LED / 12pcs 4in1 LED
<b>Cable gland:</b>	Nickel plated brass PG9
<b>Driver:</b>	Constant current driver
<b>Lens:</b>	Clear, Bead, Frosted
<b>Beam Angle Options:</b>	10° 30° 45° 60° 90°
<b>Power Cable:</b>	2*1.0mm <sup>2</sup> / 4*0.75mm <sup>2</sup> / 2*1.5*3*0.5mm <sup>2</sup> VDE rubber cable
<b>Protection Class:</b>	IP68
<b>Environment:</b>	Dry / Submerged
<b>Mounting Hardware:</b>	Floor Recessed / Nozzle fixed
<b>Net Weight:</b>	3.0kgs with 1.5m cable
<b>Lifetime:</b>	>50000H

### Order information

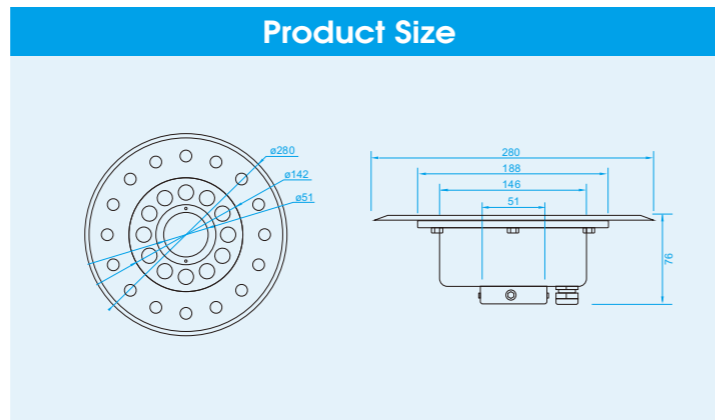
Item code	Color	Light source(w)	Line Way	Input Voltage (v)	Operating current (mA)	Consumption (w)	Luminous flux (lm)
61611.121.01	2700-3000K	12*1	V+/V-	AC/DC12-24	1000 / 500	12	1080
61611.121.02	4000-4500K	12*1	V+/V-	AC/DC12-24	1000 / 500	12	1140
61611.121.03	5000-5500K	12*1	V+/V-	AC/DC12-24	1000 / 500	12	1200
61611.121.04	6000-6500K	12*1	V+/V-	AC/DC12-24	1000 / 500	12	1200
61611.121.05	Red	12*1	V+/V-	AC/DC12-24	1000 / 500	12	300
61611.121.06	Green	12*1	V+/V-	AC/DC12-24	1000 / 500	12	720
61611.121.07	Blue	12*1	V+/V-	AC/DC12-24	1000 / 500	12	360
61611.121.08	Yellow	12*1	V+/V-	AC/DC12-24	1000 / 500	12	840
61611.123.09	RGB-DMX512 (3 channel)	12*3	V+/V-/D+/D-/GND	AC/DC12-24	R: 666 / 333 B: 1000 / 500 G: 1000 / 500	R: 8 B: 12 G: 12	R: 140 B: 160 G: 360
61611.123.10	Auto changing color	12*3	V+/V-	AC12-24	R: 666 / 333 B: 1000 / 500 G: 1000 / 500	R: 8 B: 12 G: 12	R: 140 B: 160 G: 360
61611.123.12	RGBV+ (build-in CC driver)	12*3	R/G/B/V+	DC12-24	R: 666 / 333 B: 1000 / 500 G: 1000 / 500	R: 8 B: 12 G: 12	R: 140 B: 160 G: 360
61611.123.13	RGB-DMX512 (3 channel)	12*3in1	V+/V-/D+/D-/GND	AC/DC12-24	R: 1000 / 500 B: 1000 / 500 G: 1000 / 500	R: 12 B: 12 G: 12	R: 300 B: 360 G: 720
61611.124.14	RGBW-DMX512 (4 channel)	12*4in1	V+/V-/D+/D-/GND	AC/DC12-24	R: 1000 / 500 B: 1000 / 500 G: 1000 / 500 W: 1000 / 500	R: 12 B: 12 G: 12 W: 12	R: 300 B: 360 G: 720 W: 1080

### Order information

Item code	Color	Light source(w)	Line Way	Input Voltage (v)	Operating current (mA)	Consumption (w)	Luminous flux (lm)
61612.151.01	2700-3000K	15*1	V+/V-	AC/DC24	625	15	1350
61612.151.02	4000-4500K	15*1	V+/V-	AC/DC24	625	15	1425
61612.151.03	5000-5500K	15*1	V+/V-	AC/DC24	625	15	1500
61612.151.04	6000-6500K	15*1	V+/V-	AC/DC24	625	15	1500
61612.151.05	Red	15*1	V+/V-	AC/DC24	625	15	375
61612.151.06	Green	15*1	V+/V-	AC/DC24	625	15	900
61612.151.07	Blue	15*1	V+/V-	AC/DC24	625	15	450
61612.151.08	Yellow	15*1	V+/V-	AC/DC24	625	15	1350
61612.153.09	RGB-DMX512 (3 channel)	15*3	V+/V-/D+/D-/GND	AC/DC24	R: 416 B: 625 G: 625	R: 10 B: 15 G: 15	R: 175 B: 200 G: 450
61612.153.10	Auto changing color	15*3	V+/V-	AC24	R: 416 B: 625 G: 625	R: 10 B: 15 G: 15	R: 175 B: 200 G: 450
61612.153.12	RGBV+ (build-in CC driver)	15*3	R/G/B/V+	DC24	R: 416 B: 625 G: 625	R: 10 B: 15 G: 15	R: 175 B: 200 G: 450
61612.153.13	RGB-DMX512 (3 channel)	15*3in1	V+/V-/D+/D-/GND	AC/DC24	R: 625 B: 625 G: 625	R: 15 B: 15 G: 15	R: 375 B: 450 G: 900
61612.124.14	RGBW-DMX512 (4 channel)	12*4in1	V+/V-/D+/D-/GND	AC/DC12-24	R: 1000 / 500 B: 1000 / 500 G: 1000 / 500 W: 1000 / 500	R: 12 B: 12 G: 12 W: 12	R: 300 B: 360 G: 720 W: 1080



Product Size



Specification

<b>Model No.:</b>	RS-FT15X6280HS(61621) / RS-FT45X6280HS(61621)
<b>Front cover &amp; Housing:</b>	Stainless steel 304
<b>Dimensions:</b>	D280*H76mm (Nozzle hole size: 51mm)
<b>Tempered Glass:</b>	8mm thickness
<b>LED chip:</b>	Edison / Epistar
<b>LED Q'ty:</b>	15pcs 1W LED / 15pcs 3W LED / 15pcs 3in1 LED
<b>Cable gland:</b>	Nickel plated brass PG9
<b>Driver:</b>	Constant current driver
<b>Lens:</b>	Clear, Bead, Frosted
<b>Beam Angle Options:</b>	10° 30° 45° 60° 90°
<b>Power Cable:</b>	2*1.0mm <sup>2</sup> / 4*0.75mm <sup>2</sup> / 2*1.5*3*0.5mm <sup>2</sup> VDE rubber cable
<b>Protection Class:</b>	IP68
<b>Environment:</b>	Dry / Submerged
<b>Mounting Hardware:</b>	Floor Recessed / Nozzle fixed
<b>Net Weight:</b>	4.0kgs with 1.5m cable
<b>Lifetime:</b>	>50000H

Order information

Item code	Color	Light source(w)	Line Way	Input Voltage (v)	Operating current (mA)	Consumption (w)	Luminous flux (lm)
61621.151.01	2700-3000K	15*1	V+/V-	AC/DC24	625	15	1350
61621.151.02	4000-4500K	15*1	V+/V-	AC/DC24	625	15	1425
61621.151.03	5000-5500K	15*1	V+/V-	AC/DC24	625	15	1500
61621.151.04	6000-6500K	15*1	V+/V-	AC/DC24	625	15	1500
61621.151.05	Red	15*1	V+/V-	AC/DC24	625	15	375
61621.151.06	Green	15*1	V+/V-	AC/DC24	625	15	900
61621.151.07	Blue	15*1	V+/V-	AC/DC24	625	15	450
61621.151.08	Yellow	15*1	V+/V-	AC/DC24	625	15	1350
61621.153.09	RGB-DMX512 (3 channel)	15*3	V+/V- /D+/D-/GND	AC/DC24	R: 416 B: 625 G: 625	R: 10 B: 15 G: 15	R: 175 B: 200 G: 450
61621.153.10	Auto changing color	15*3	V+/V-	AC24	R: 416 B: 625 G: 625	R: 10 B: 15 G: 15	R: 175 B: 200 G: 450
61621.153.12	RGBV+ (build-in CC driver)	15*3	R/G/B/V+	DC24	R: 416 B: 625 G: 625	R: 10 B: 15 G: 15	R: 175 B: 200 G: 450
61621.153.13	RGB-DMX512 (3 channel)	15*3in1	V+/V- /D+/D-/GND	AC/DC24	R: 625 B: 625 G: 625	R: 15 B: 15 G: 15	R: 375 B: 450 G: 900

